

VSX351

Controller



INTEC's VSX351 Camera Controller combines all the critical camera functions of our VSC500 series environmental color zoom cameras into one control panel that can be located at the operators fingertips to minimize distraction and promote ease of use.

Built for the on board vehicle application, these sturdy controllers operate on 9-36 Volts DC input, provide a direct interface to our VSC series cameras, and provide a standard definition video output for display on either our VSM series monitors or a customer provided display.

For added functionality, the VSX series controllers can accept one of our CVC series Car Vision cameras for a complete video safety solution.

For additional information call (west) 800.468.3254 or (east) 800.522.5989



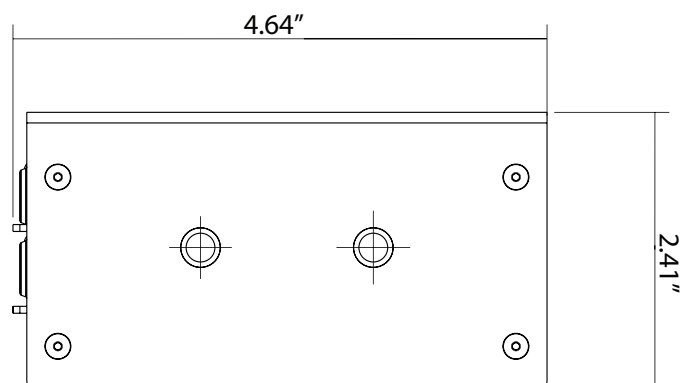
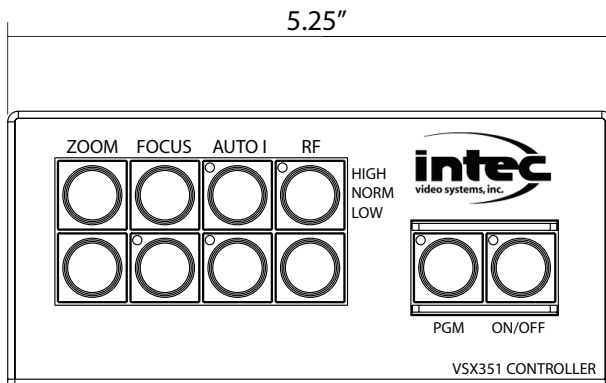
Product Benefits:

- ✓ Integrated Camera Controller for use with Intec VSC500 Series High-performance environmental True Day Night Color Zoom cameras
- ✓ 9 - 36 VDC Wide Input Voltage suitable for uneven vehicle electrical systems.
- ✓ Superior Shock and Vibration Resistance withstands industrial and off-road applications.
- ✓ Use with all Intec VSM Series Monitors or customer supplied monitor.
- ✓ Universal Mounting Brackets for ease of installation in a variety of applications.

Specifications

Controls	On / Off Program Zoom (Tele, Wide) Focus (Near, Far, Auto On - Off) IR Cut Filter (IR On, Auto, Off)
Power	9 - 36 VDC
Connector	Molex PS-5556 Series
Cable	Intec VS Type 16-C
Cable Distance	200 Feet
Inputs	Data, Power
Construction	Sheet Metal Chassis and Cover
Finish	Powder Coat Black
Environment	95% RH
Temperature (C)	-40 to +80 Deg (Operation) -65 to +150 Deg (Storage)
Weight	1.5 lbs.

Dimensional:



Quality first for performance that lasts

www.intecvideo.com

Corporate: 23301 Vista Grande, Laguna Hills, CA 92653 | Eastern: 4256 State Route 51 North, Rostraver Township, PA 15012